



- Standard Technical Details
- Product Details
- Product Gallery
- Application
- Application Gallery
- Machine Layout
- Salient Features

ACROFLEX-CDB

Flexographic Printing Machine

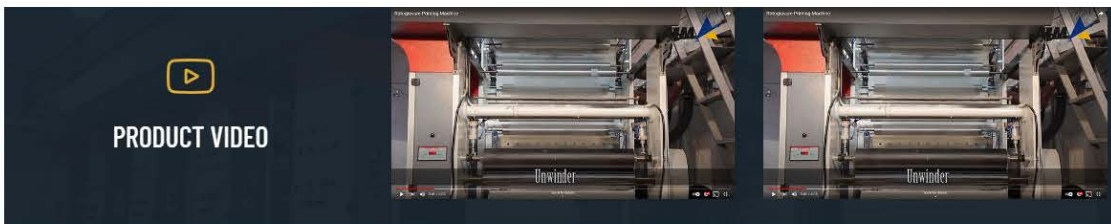
The programmable AC imported drive driven Flexographic printing machine with sturdy design, allow the optimum speed, stability and easy operations. Elegantly designed, state of the art machine with practically tolerance free format setting ensure reduced film waste.

Standard Technical Specification

Range of Width	500/ 600/ 800/ 1000/ 1200/ 1600 (in mm)
Range of Line Speed(MPM)	150
Range of Colours	2/ 4/ 6/ 8
Web Tension Range	20-400 N
Material's Range	HDPE/ LLDPE/ LDPE/ PP/ BOPP/ NON-WOVEN/ PAPPER/ HM/ WOVEN



Product Gallery



Application

Flexographic - abbreviated to flexo - printing is a form of rotary printing in which quick-drying inks are transferred from flexible printing plates to a substrate. This is primarily used for large-scale printing of text and images on a variety of materials such as plastic, fabrics, metallic film, paper and nonwovens. The benefits of flexo printing are many, including:

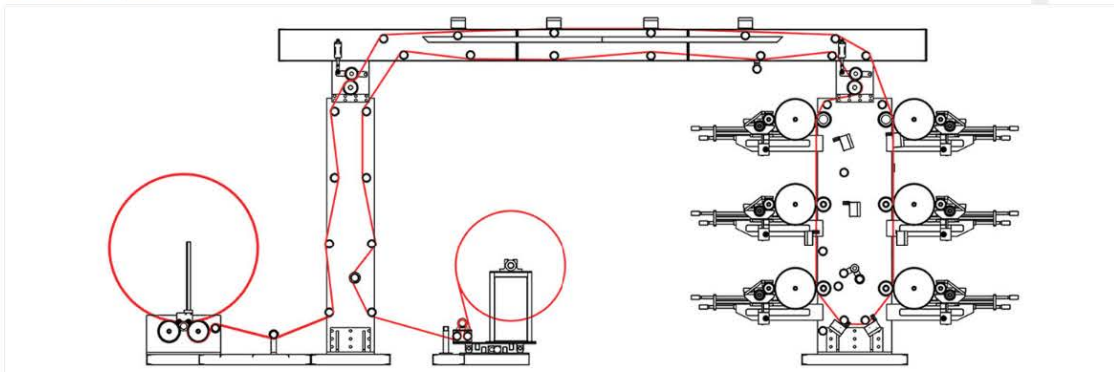
- > The ability to quickly change the print designs
- > Easy adjustment of the repeat length of the printed pattern

- › Speed of the production process which, once the initial setup is completed, is fully automated
- › The ability to use a wide variety of ink types
- › Environmentally-friendly process, when water-based inks are used
- › Low maintenance requirements, with parts that tend to have a long operating life

Application Gallery



Machine Layout



Technical Specifications

Sr	Model	Web Width Max. (mm)	Print Repeat Min. - Max.	Connected Load KW*			
				2 Colour	4 Colour	6 Colour	8 Colour
1	AIM 500 FP	500	8" - 32"	9	11	18	20
2	AIM 600 FP	600	8" - 32"	10	12	19	21
3	AIM 800 FP	800	8" - 32"	12	14	21	23
4	AIM 1000 FP	1000	8" - 32"	14	16	23	25
5	AIM 1200 FP	1200	10" - 36"	16	18	26	
6	AIM 1600 FP	1600	10" - 36"	18	20	28	

Salient Features

Unwinder/ Rewinder Group	+
Web Guiding	+

Ideal Rollers	+
Control System	+
Drying System	+
Ceramic Anilox Roll (Optional)	+
Doctor Blade Chamber and Ink Circulating Pump (Optional)	+
Web Video System (Optional)	+
Pneumatic Air Shaft (Optional)	+



Aim Machintechnik Pvt. Ltd. is the leading manufacturer and exporter of plastic converting machines..



Contact Us

Plot No. 2803, Road No. I-2,
GIDC Lodhika Estate, Gate No.-1,
Kalawad Road, Metoda-360021,
Dist.-Rajkot, Gujarat, India

+91 98241 12034
+91 99244 99923

anilsavsani@aimflex.com
jeetsavsani@aimflex.com

Subscribe Our Newsletters

Enter Your Email

Subscribe Now

Quick Links

- > About Us
- > Application
- > Service and Support
- > Awards
- > Quality
- > Event and Exhibition
- > Careers
- > Contact us

Our Products

- > Rotogravure Printing Machine
- > Flexographic Printing Machine
- > Lamination Machine
- > Slitter Rewinding Machine

